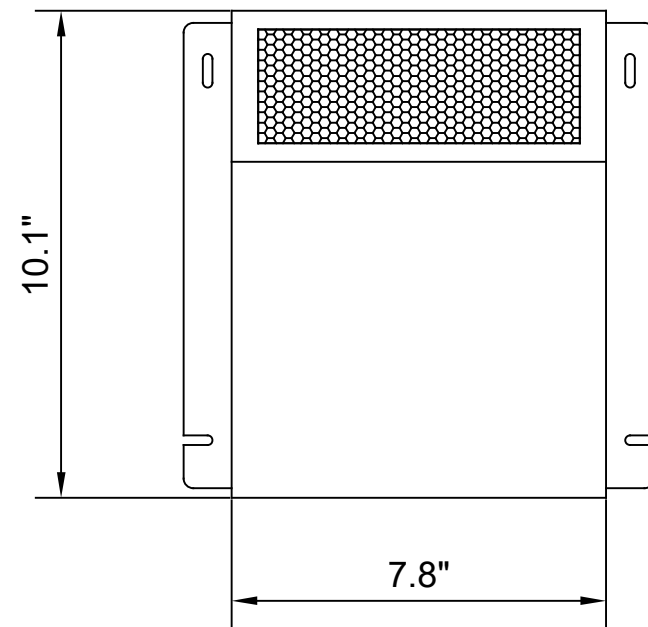
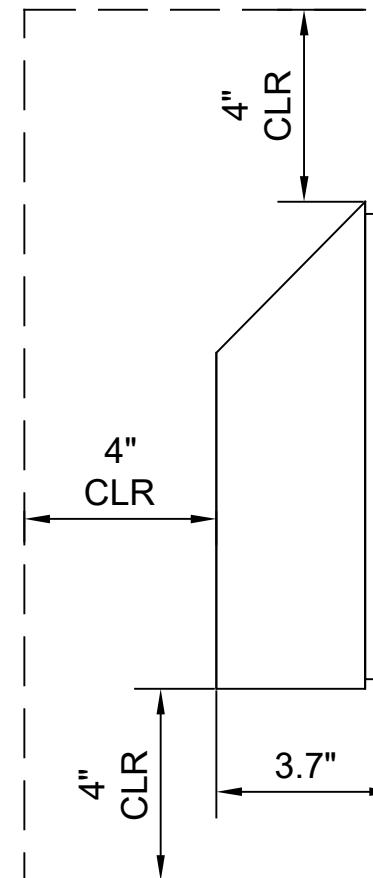


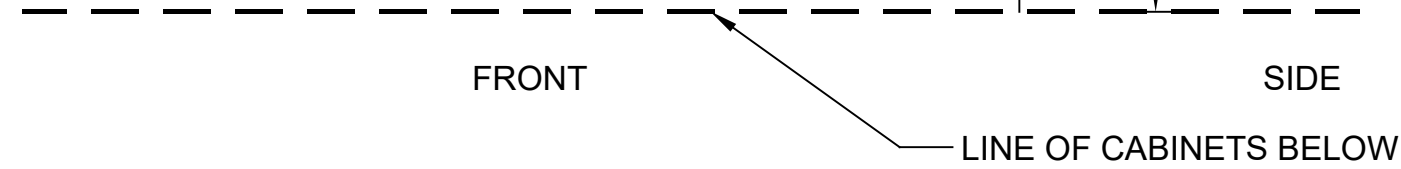
ISOMETRIC



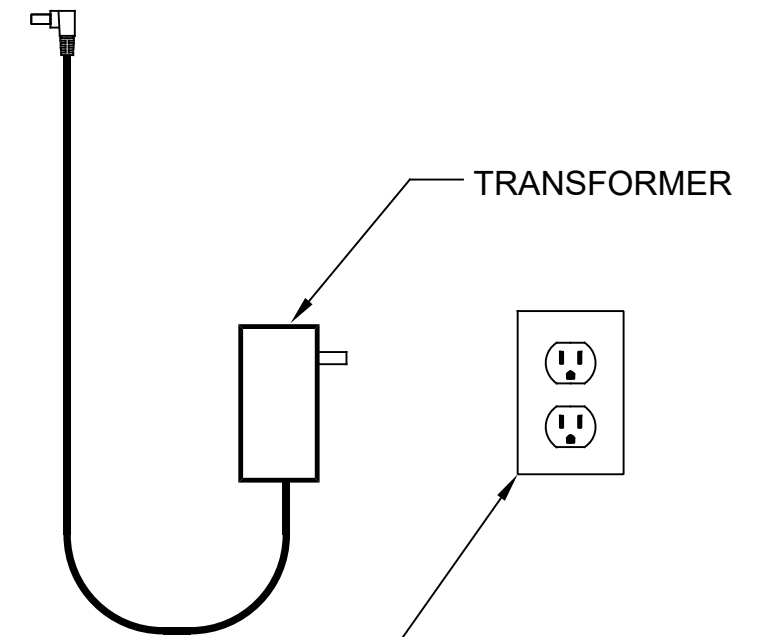
FRONT



SIDE




LINE OF CABINETS BELOW



TRANSFORMER

120VAC UNSWITCHED OUTLET

	TITLE			ADP-70		
	DATE	05/05/2020	SIZE	B	SHEET	1 OF 1
	SCALE	DO NOT SCALE	REV	-	PART NO.	